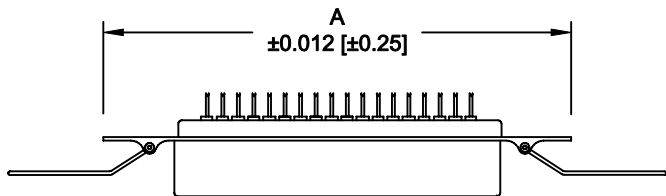


DESCRIPTION: 0.085 RIBBON - DIP SOLDER

	014	024	036	050
A	1.728	2.154	2.667	3.264
	43.90	54.70	67.75	82.90
B	0.992	1.417	1.925	2.624
	25.20	36.00	48.90	64.10
C	1.417	1.843	2.352	2.947
	36.00	46.80	59.74	74.85

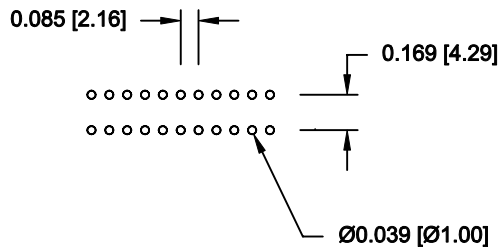
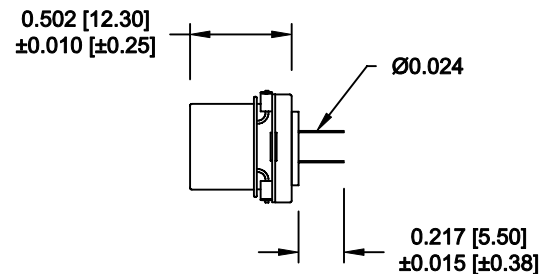
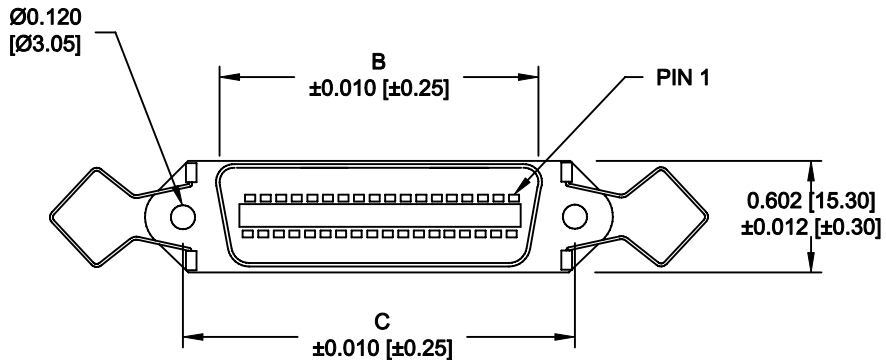


**MATERIAL:**

INSULATION: GLASS- FILLED THERMOPLASTIC  
UL RATED 94V-0, 230°C PROCESS TEMP.  
CONTACTS: COPPER ALLOY  
SHELL: STEEL, NICKEL PLATED

**ELECTRICAL:**

CURRENT RATING: 5 AMPS  
VOLTAGE RATING: 1,200V AC r.m.s.  
INSULATION RESISTANCE: 1,000MegOhms Min. @ 500VDC  
CONTACT RESISTANCE: 30MilliOhms Max.  
OPERATING TEMPERATURE: -55°C TO +125°C



111-YYY-2 1 3 L 00 1

SERIES \_\_\_\_\_  
POSITIONS \_\_\_\_\_  
014 \_\_\_\_\_  
024 \_\_\_\_\_  
036 \_\_\_\_\_  
050 \_\_\_\_\_  
GENDER \_\_\_\_\_  
2 = FEMALE  
TERMINATION \_\_\_\_\_  
1 = DIP SOLDER  
RoHS COMPLIANT \_\_\_\_\_  
L = LOW TEMP. PROCESS  
SHELL PLATING \_\_\_\_\_  
3 = NICKEL  
HARDWARE \_\_\_\_\_  
00 = NO HARDWARE  
PLATING \_\_\_\_\_  
1 = GOLD FLASH

DO NOT SCALE FROM DRAWING

RoHS COMPLIANT

	THESE DRAWINGS AND SPECIFICATIONS ARE THE PROPERTY OF NorComp AND SHALL NOT BE REPRODUCED, COPIED OR USED AS THE BASIS FOR THE MANUFACTURE OF SALE OF APPARATUS WITHOUT WRITTEN PERMISSION.	DRAWN: <b>WAYNE ROBBINS</b> DATE: <b>09-15-05</b>	
		CHECKED: _____ DATE: _____	
<h1>NorComp</h1>	SCALE: <b>NONE</b>	SHEET <b>1</b> OF <b>1</b>	REV <b>4</b>
	DWG NO. <b>111-YYY-213L001</b>		